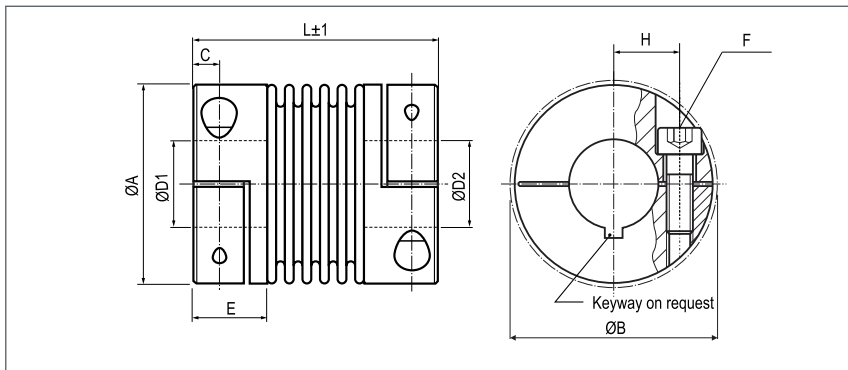


Miniature Metal Bellows Coupling

with collet clamps

optional
laserwelded
optional full stainless
steel version



Order Code

KB2 / 45 - 50 - 10 - 16 - (S)

Type / Size

Length
L

ØD1
(H7)

ØD2
(H7)

Options

| Size | Torque TKN (Nm) | Dimensions (mm) | | | | | | | | Technical Data | | | | | | | |
|------|-----------------------|-----------------|------------|-------------------------------|------|-----|------|----------------|-------------------------------|----------------|---|-----------------------------|------------------------|-----------------------|-----------------------|----------------------|-----------------------|
| | | L | Ø A | D1/D2 | H | C | Ø B | E | F | Mass (g) | Moment of Inertia J (g cm ²) | Spring Stiffness | | | Misalignment | | |
| | | Length | Outer Ø | Bore Sizes (H7) min-max | | | | Hub- length | Screw (ISO4762) TA (Nm) | | | torsional CT (Nm/rad) | radial CR (N/mm) | axial CA (N/mm) | radial ΔKr (mm) | axial ΔKa (mm) | angular ΔKw (°) |
| 1 | 0.1 | 25 | 10 | 1-4 | 3.4 | 2 | 11 | 7 | M1.6 0.1 | 3 | 0.5 | 65 | 10 | 14 | 0.12 | 0.2 | 1.2 |
| 5 | 0.5 | 21 | 15.5 | 3-8 | 5.2 | 2.5 | 17.5 | 7 | M2 | 7.5 | 2.7 | 260 | 43 | 13 | 0.1 | 0.2 | 1 |
| | | 0.43 | | 7.8 | | | | | 2.8 | 200 | 18 | 10 | 0.15 | 0.3 | 1.5 | | |
| | | | | 8.2 | | | | | 3 | 160 | 9 | 8 | 0.2 | 0.4 | 2 | | |
| 10 | 1 | 23 | 15.5 | 3-8 | 5.2 | 2.5 | 17.5 | 7 | M2 | 9 | 3.1 | 510 | 74 | 27 | 0.1 | 0.2 | 1 |
| | | 0.43 | | 9.3 | | | | | 3.4 | 380 | 31 | 20 | 0.15 | 0.3 | 1.5 | | |
| | | | | 10 | | | | | 3.7 | 310 | 16 | 16 | 0.2 | 0.4 | 2 | | |
| 15 | 1.5 | 26 | 20 | 3-10 | 7 | 3 | 21 | 8,5 | M2.5 | 13 | 8 | 750 | 59 | 15 | 0.1 | 0.3 | 1.5 |
| | | 0.85 | | 15 | | | | | 9.3 | 700 | 20 | 9 | 0.15 | 0.4 | 2 | | |
| 20 | 2 | 32 | 25 | 3-14 | 9 | 3.5 | 27 | 11 | M3 | 29 | 24 | 1500 | 67 | 12 | 0.15 | 0.3 | 1.5 |
| | | | | 32 | | | | | 27 | 1300 | 21 | 11 | 0.2 | 0.4 | 1.5 | | |
| | | | | 2 | | | | | 33 | 29 | 1050 | 11 | 9 | 0.25 | 0.5 | 2 | |
| 45 | 4.5 | 41 | 32.5 | 6-18 | 12 | 5 | 34 | 13 | M4 | 61 | 100 | 6500 | 168 | 32 | 0.1 | 0.3 | 1.5 |
| | | | | 3.5 | | | | | 67 | 112 | 4200 | 41 | 20 | 0.2 | 0.5 | 2 | |
| 100 | 10 | 47 | 40.5 | 6-25 | 15.5 | 5 | 41.5 | 13,5 | M4 | 86 | 233 | 8100 | 120 | 27 | 0.15 | 0.4 | 1.5 |
| | | | | 4.5 | | | | | 106 | 290 | 6800 | 29 | 17 | 0.3 | 0.6 | 2 | |



| | |
|-------------------|--|
| Speed | max. 15000 min ⁻¹ |
| Material | bellows - stainless steel hub - aluminium |
| Hub | bore tolerance: H7 |
| Temperature Range | -30 °C ~ 120 °C |
| Keyway | optional acc. DIN 6885 biggest bore marked with a # |



**APPLIED
MEASUREMENTS
LIMITED**

www.appmeas.co.uk | Transducer Specialists...