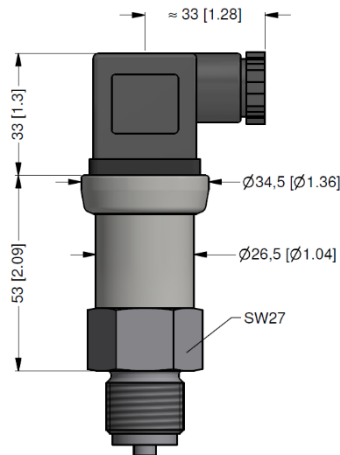
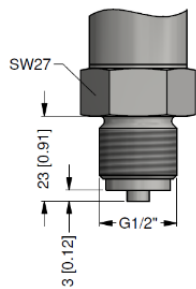


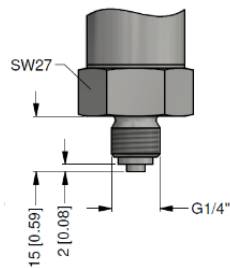
Dimensions (mm / in)



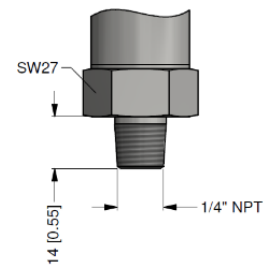
Mechanical connections (dimensions mm / in)



G1/2" EN 837



G1/4" EN 837



1/4" NPT

⇒ metric threads and other versions on request

Accessories

Plug-on Display PA 430



Functional range

- ▶ free scalable display
- ▶ switch mode, hysteresis, parameterizable deceleration of the contacts
- ▶ display 330 ° rotatable
- ▶ connector 300 ° rotatable
- ▶ no external power supply necessary

Product characteristics

- ▶ plug-on display for pressure transmitter with output signal: 4 ... 20 mA / 2-wire or 0 ... 10 V / 3-wire
- ▶ 4-digit LED display

Optional versions

- ▶ IS-version
- ▶ 1 or 2 programmable contacts

