

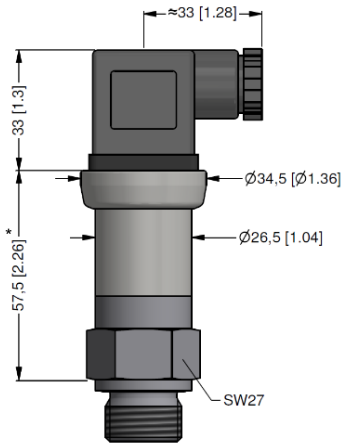
DMP 333

Industrial Pressure Transmitter

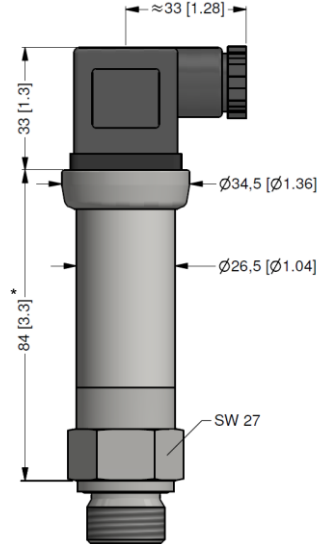
Technical Data

Dimensions (mm / in)

standard

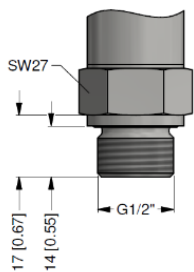


SIL- and SIL-IS-version

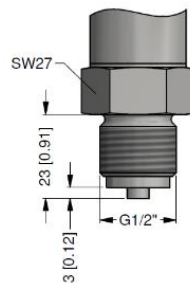


* with electrical connection Bayonet MIL-C-26482 (10-6) increases the length of devices by 5 mm

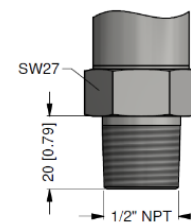
Mechanical connections (dimensions mm / in)



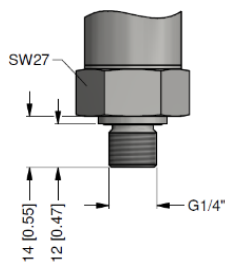
G1/2" DIN 3852



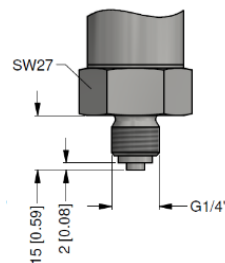
G1/2" EN 837



1/2" NPT



G1/4" DIN 3852



G1/4" EN 837

↕ metric threads and other versions on request

