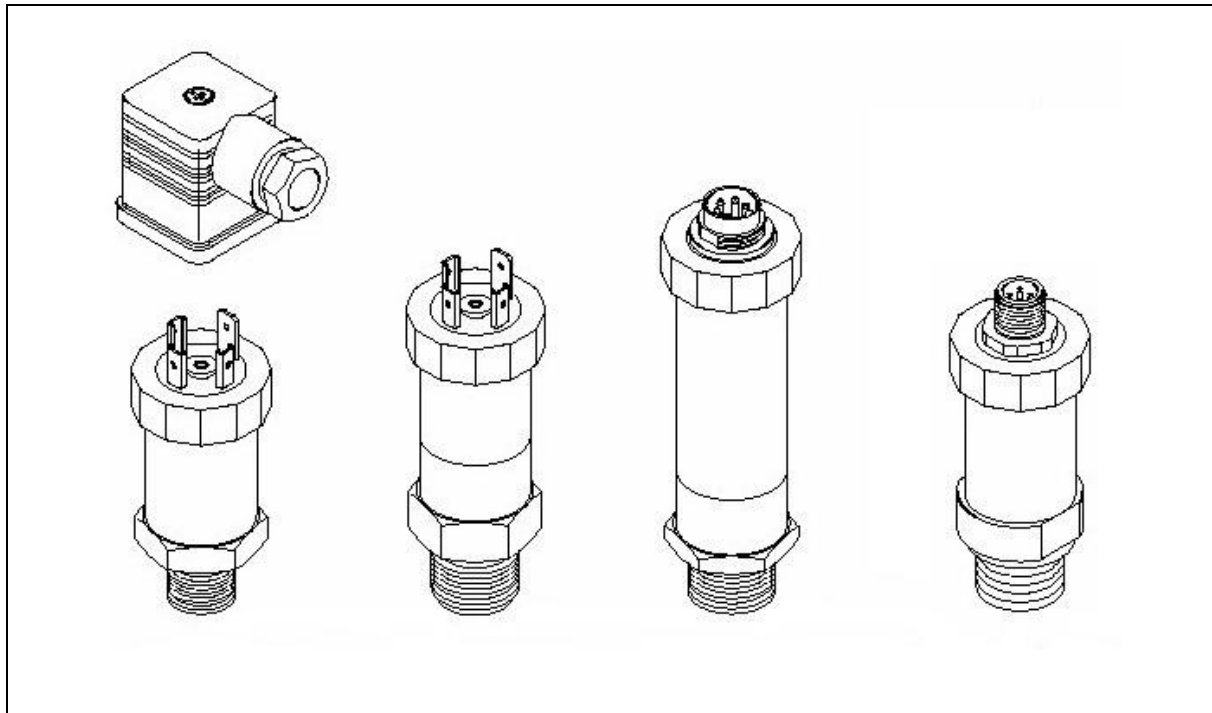

Assembly and Connecting Instructions



Pressure Transmitters



General

Please read this manual carefully prior to assembly and operation of the pressure transmitter. Handle the devices carefully – they are sensitive measuring devices.

The devices may only be installed, used and serviced by people are familiar with this manual, as well as the valid regulations for work safety and accident prevention.

For technical data of transmitter look actual data sheet.

Assembly

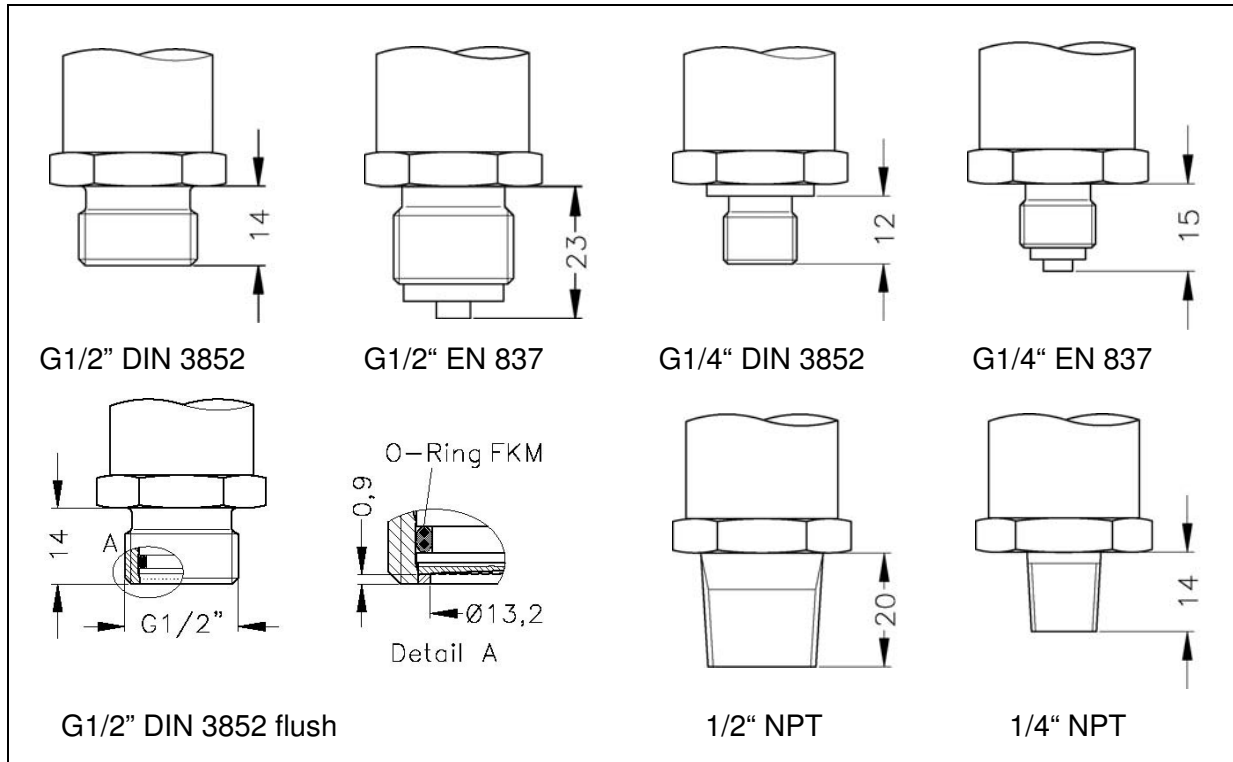
General Notes

- Do not use force when installing the devices.
 - Tighten the cable screws by hand as the material is usually plastic.
 - Send in the device for recalibration every 12 months, if it is subjected to greater demands.
-

Special Notes

- In hydraulic systems, place the pressure transmitter such that the pressure connection points upward. (Ventilation)
- If using in steam systems, include a cooling line.
- Please note that for very low pressure areas, a strong suction effect on the pressure transmitter can lead to a deviation of the characteristic curve.

Mechanical connections



Mechanical Installation

With connections to DIN 3852, also flush

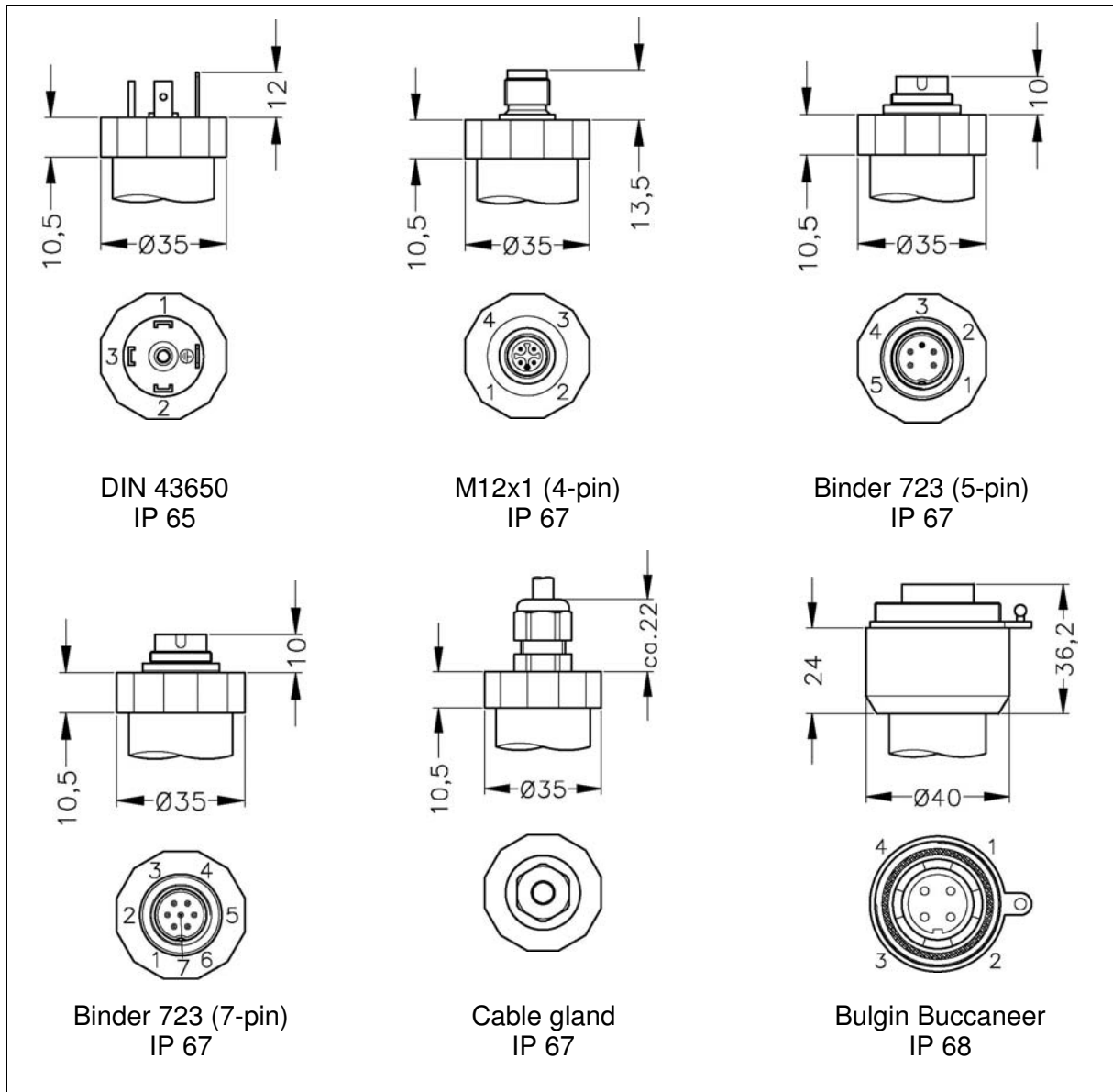
- Use a suitable seal, dowty or washer (not supplied with device)
- Ensure that the surface on which the seal is placed is perfectly smooth and clean.
- Screw the pressure transmitter by hand into the thread. This achieves complete sealing action.
- Tighten the pressure transmitter with a wrench (max. torque 50 Nm).

With connections to EN 837 (previously DIN 16288, Manometer connection)

- Use a copper gasket corresponding to the diameter of the thread (gasket is not supplied)
- Ensure that the surface is clean on the gasket and gasket-facing surface and in the thread.
- Screw and tighten the pressure transmitter by hand into the thread.
- Tighten the pressure transmitter with a wrench (max. torque 50 Nm).

Electrical connection

Electrical connections

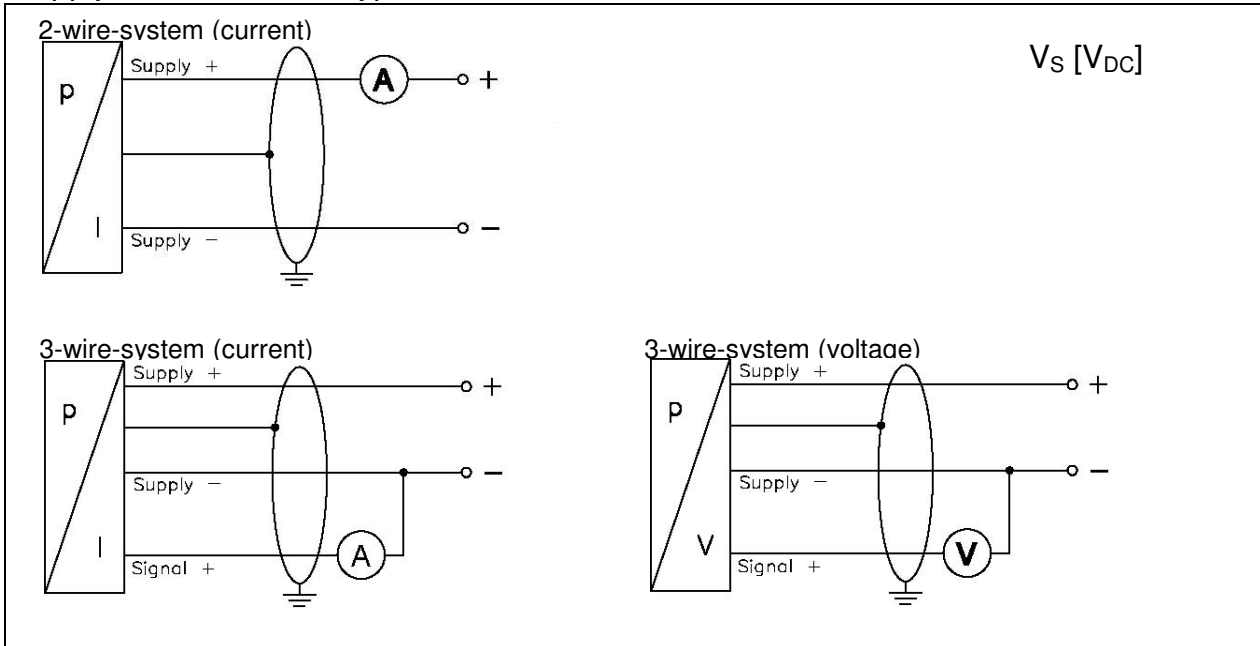


Pin configuration

	Electrical connection					Cable colour (DIN 47100)
	DIN 43650	M 12x1 (4-pin)	Binder 723 (5-pin)	Binder 723 (7-pin)	Buccaneer (4-pin)	
2-wire-system						
Supply +	1	1	3	3	1	Red
Supply -	2	2	4	1	2	Blue
Ground	ground pin	4	5	2	4	cable shield
3-wire-system						
Supply +	1	1	3		1	Red
Supply -	2	2	4		2	Blue
Signal +	3	3	1		3	Green
Ground	ground pin	4	5		4	cable shield

Wirings diagrams

The supply V_S stand on the type label of transmitter and must be abided.



 For electrical connection a sheathed and twisted multicore cable is recommended.

Maintenance

The devices require no maintenance.

On contamination of the pressure sensor clean the pressure connection regularly, independently of the medium and degree of contamination. Use a non-aggressive cleaning solution for this purpose.

Important! Never touch the membrane of the sensors!!! Special care must be taken with flush-mounted sensors as well as with devices having process connectors