



**APPLIED MEASUREMENTS LTD.**  
Transducer Specialists...

+44 (0) 118 981 7339

[info@appmeas.co.uk](mailto:info@appmeas.co.uk)

<https://appmeas.co.uk>

## SLC24 Series Bow Type Wireless Shackle Load Cell

### Key Features:

- Ranges from 12 Tonnes to 1000 Tonnes
- Wireless Signal Transmission - No Cables
- Transmission Distance up to 600 metres
- Up to 300 Hours Battery Life
- High Tensile Carbon Steel Construction
- Environmental Sealed IP67
- Simple Construction and Operation
- Shackle and Load Pin Fully Certified
- Optional Load Centralising Bobbin
- Many Other Options Available
- 3 Year Warranty



The SLC24 range of telemetry/wireless shackle load cells are manufactured using the Crosby™ G2130 (12 to 25 tonne), G2140 (40 to 120 tonne) and GN Rope H10 shackle (150 to 1000 tonnes) series of bow shackles. To avoid local radio interference, the wireless shackle load cell operates using a licence free 2.4GHz frequency, ensuring data integrity and security. The externally sealed aerial can be rotated ensuring you receive the optimum transmission range and signal polarity.

Their stainless steel housing and IP67 protection rating makes them an extremely robust solution for harsh applications. The units power is supplied by two AAA NiMH batteries which can be recharged using the supplied universal charger. When necessary the battery changing is quick and easy to do on-site thanks to the no-tool opening housing. In emergencies, standard alkaline batteries can also be used but we recommend switching back to the rechargeable batteries as soon as possible.

The SLC24 is supplied as standard with a [T24-HS simple handheld battery powered display](#) which features an 8 digit display for use with a single telemetry acquisition module. If multiple acquisition modules are to be used we can provide a [T24-HA advanced handheld telemetry display](#) which can display up to 12 separate inputs. If you need more, we can offer a PC-based monitoring system capable of monitoring and recording data live from up to 100 load shackles simultaneously! Please [contact our technical team](#) for more information.

### Options:

- Special Ranges and Capacities up to 2000te
- Centralising Load Bobbin
- Special Telemetry Systems Available
- Lloyds, ABS or DNV Witness Testing

### Applications:

- Under-Hook Hoist/Crane Weighing
- Cable Tension Monitoring
- Towing/Mooring Tension
- Crane Safe Load Monitoring
- Multi-Point Lifting / Weighing Systems



# APPLIED MEASUREMENTS LTD.

Transducer Specialists...

+44 (0) 118 981 7339

[info@appmeas.co.uk](mailto:info@appmeas.co.uk)

<https://appmeas.co.uk>

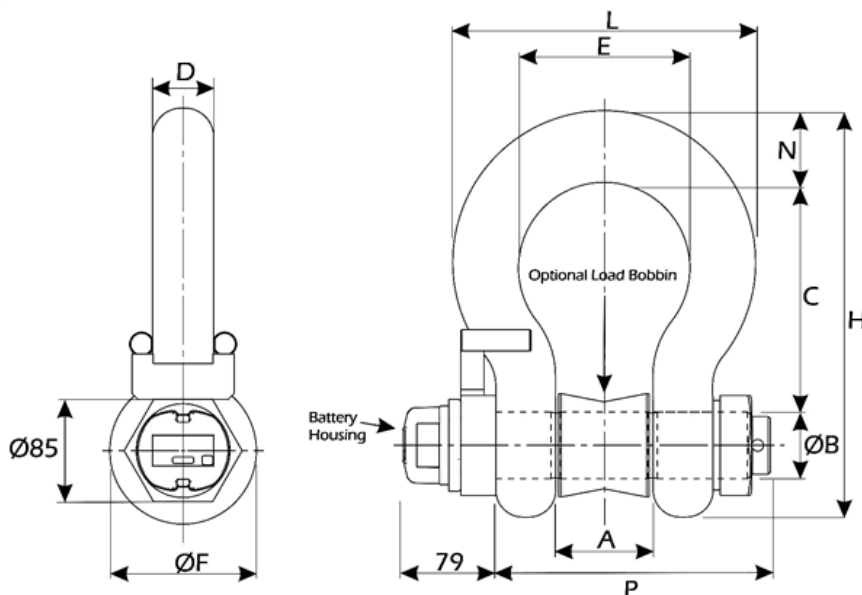
## Specification:

	UNITS	SLC24
Rated Load	tonnes	0-12, 0-17, 0-25, 0-40, 0-55, 0-85, 0-120, 0-150, 0-200, 0-300, 0-400, 0-500, 0-600, 0-700, 0-800, 0-900, 0-1000
Operating Modes	Tension Only	
Non-Linearity	±%/Rated Load (typically)	<1
Non-Repeatability	±%/Rated Load	<0.1
Transmission Distance	metres	up to 600 (clear line of sight)
Battery Life	hours	300 (continuous use with 1.2Ah batteries)
Battery		2 x AAA Alkaline (supplied with 1.2Ah batteries) Internal rechargeable NiMh
Battery Charging		Batteries can be removed from case for recharging
Operating Temperature Range	°C	-20 to +60
Safe Overload	% of Rated Load	150
Ultimate Overload	% of Rated Load	300
Safety Factor:		3:1
IP Rating (Environmental Protection)		IP67
Weight (excluding cable)	kg	see dimensional table

## Dimensions (mm):

Ranges 12 to 120 tonnes

Rating (tonnes)	A	ØB	C	D	E	ØF	H	L	N	P	Weight (kgs)	Resolution (tonnes)
0-12	51.5	35.1	119	31.8	82.5	76	210	146	35.1	171	8	0.01
0-17	60.5	41.4	146	38.1	98.5	92	254	175	41.1	201	12	0.02
0-25	73	51	178	44.5	127	106	313	225	57	236	18	0.02
0-40	73.2	50.8	178	46.7	127	106	313	224	57.2	236	18	0.05
0-55	82.6	57.2	197	52.8	146	122	347	258	61	269	25	0.05
0-85	105	69.9	267	68.8	184	148	455	324	79.2	351	45	0.1
0-120	127	82.6	330	79.2	200	165	546	371	92.2	387	85	0.1

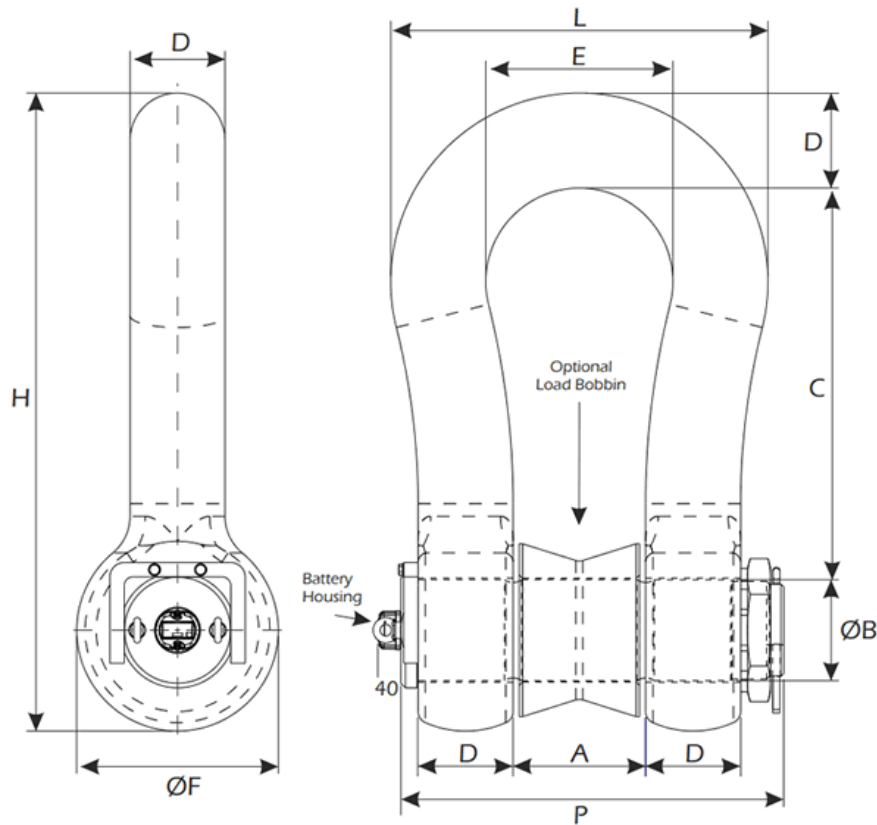




**Dimensions continued (mm):**

Ranges 150 to 1000 tonnes

Rating (tonnes)	A	ØB	C	D	E	ØF	H	L	P	Weight (kgs)	Resolution (tonnes)
0-150	170	108	400	102	275	230	671	479	475	160	0.1
0-200	180	125	500	120	290	260	813	530	520	235	0.2
0-250	205	140	540	125	305	260	865	555	560	285	0.2
0-300	205	150	600	130	305	305	958	565	570	340	0.5
0-400	230	175	680	165	325	350	1108	655	655	560	0.5
0-500	255	185	700	180	350	370	1158	710	720	685	0.5
0-600	285	205	700	195	375	405	1200	765	815	880	0.5
0-700	310	217	700	205	400	435	1231	810	860	980	1
0-800	310	217	700	210	400	435	1236	820	870	1100	1
0-900	330	230	700	220	420	465	1268	860	910	1280	1
0-1000	350	240	750	230	420	480	1290	880	950	1460	1





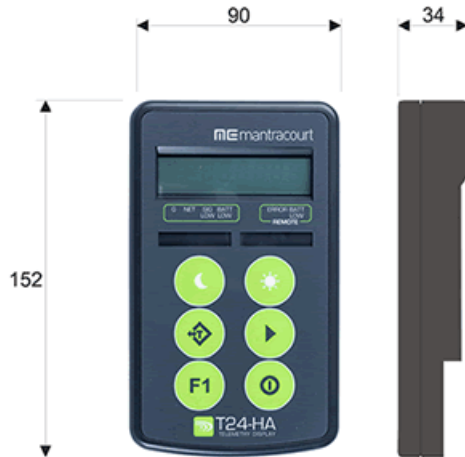
**APPLIED MEASUREMENTS LTD.**  
Transducer Specialists...

+44 (0) 118 981 7339

[info@appmeas.co.uk](mailto:info@appmeas.co.uk)

<https://appmeas.co.uk>

## Dimensions T24-HS Handheld Wireless Telemetry Display:



## Ordering Codes:

Core Product	Capacity (inc Engineering Units)	Cable Length (m)	Specials Code	Example Result
SLC24	12t	000	000	SLC24-12t-000-000
SLC24	17t	000	000	SLC24-17t-000-000
SLC24	25t	000	000	SLC24-25t-000-000
SLC24	40t	000	000	SLC24-40t-000-000
SLC24	55t	000	000	SLC24-55t-000-000
SLC24	85t	000	000	SLC24-85t-000-000
SLC24	120t	000	000	SLC24-120t-000-000
SLC24	150t	000	000	SLC24-150t-000-000
SLC24	200t	000	000	SLC24-200t-000-000
SLC24	300t	000	000	SLC24-300t-000-000
SLC24	400t	000	000	SLC24-400t-000-000
SLC24	500t	000	000	SLC24-500t-000-000
SLC24	600t	000	000	SLC24-600t-000-000
SLC24	700t	000	000	SLC24-700t-000-000
SLC24	800t	000	000	SLC24-800t-000-000
SLC24	900t	000	000	SLC24-900t-000-000
SLC24	1000t	000	000	SLC24-1000t-000-000



**APPLIED MEASUREMENTS LTD.**  
Transducer Specialists...

+44 (0) 118 981 7339

[info@appmeas.co.uk](mailto:info@appmeas.co.uk)

<https://appmeas.co.uk>

## Associated Products:



[T24 Wireless Analogue Output Module](#)



[T24-BSue Compact 2.4GHz Telemetry Base Station](#)



[T24-HA Advanced Handheld Telemetry Display](#)



[T24-RM1 Wireless Relay Module](#)



[T24-PR1 Wireless Telemetry Printer](#)



[T24LOG100 Software](#)