



**APPLIED MEASUREMENTS LTD.**  
Transducer Specialists...

+44 (0) 118 981 7339

[info@appmeas.co.uk](mailto:info@appmeas.co.uk)

<https://appmeas.co.uk>

## Intuitive-Lite4-C Low Cost Count Rate Digital Indicator

### Key Features:

- Ideal for Industrial Counting & RPM Measurement
- Accepts Standard Pulse Signals from NPN, PNP, Contact Closure, 24Vdc and 5Vdc
- 4, 5 or 6-Digit LED Display ( $\pm 199999$ )
- Simple Single Layer Menu for Easy Setup
- Power: 95-265Vac or 11-30Vdc
- Scale and Offset Independent of Calibration
- Environmental Protection: IP65 (when installed)
- 10Vdc Load Cell Excitation @ 120mA max.
- Portable Desktop Enclosure



If you want a simple to use precision display then the [Intuitive-Lite4-C](#) is ideal. It is ideal for industrial counting, conveyor speed measurement, RPM measurement, frequency measurement, angle, position or length measurement. With no additional plug-in options it makes the display really simple to use and even simpler to setup. It features a single layer menu making it easy to find relevant information when you need it.

It has a red or green LED display and can be AC or DC powered. Scale and Offset can be set by the user independently of the calibration. In addition, more filtering and logic inputs are available within the indicator.

Our 3-year warranty applies to the Intuitive-Lite4-C and to any of our extensive range of transducers supplied with it, please [contact our sales team](#).

### Industries:

- Automotive
- Agriculture
- Silo and Weighing Industry
- Construction
- Alternative Energy
- Civil Engineering
- Lifting and Handling
- Waste Management

### Applications:

- Weighing Platforms
- Vessel Weighing Systems
- Weighbridges
- Conveyor Weighing Systems
- Bridge Structure Monitoring
- Waste Management Systems
- Lifting and Handling
- Monitoring of Anchor Loads
- Truck Load Weight Monitoring
- Skip Weighing System
- Multi-Cell or Multi-Transducer Installations
- Monitoring of Building Foundations
- Force Measurement in Formula Racing
- Silo Weighing
- Measuring the Power Output of a Motor
- Weighing Platforms
- Vessel Weighing Systems
- Weighbridges



# APPLIED MEASUREMENTS LTD.

Transducer Specialists...

+44 (0) 118 981 7339

[info@appmeas.co.uk](mailto:info@appmeas.co.uk)

<https://appmeas.co.uk>

## Specification:

CHARACTERISTICS	INTUITIVE-LITE4-C	UNITS
Display	6 digit, 7 segment LED, 14mm high (-199999 to +199999)	
Resolution	1:400,000 max. (bipolar)	
Display Update Rate:	10/second	
Input Signal	NPN, PNP, contact closure, 24V logic, 5V logic. Up to 50kHz.	
Accuracy	<±0.05	% of range for rate/frequency
Bridge Excitation	24	Volts dc
Maximum Excitation Current	60	mA
Digital Filtering	0 to 5 (adjustable)	Seconds effective time constant
Display Count By	1, 2, 5, 10, 20, 50 digits (selectable)	
Operating Temperature	0 to +50	°C
Thermal Drift	Span = 25, Zero = 30	ppm/°C
Operating Voltage	100-240VAC (11-30VDC optional)	
Environmental Protection	IP65 (IP67 optional)	
Weight	300	Grams
Panel Cutout	1/8 DIN (92mm x 45mm + I/-0)	
Features	Tare facility, peak & valley detection, 10-point linearisation,	

## Ordering Codes:

<b>IL4-C-R-AC</b>	<b>IL4</b>	-	<b>C</b>	-	<b>R</b>	-	<b>AC</b>	-	<b>0</b>
<b>Product Family</b> <i>Example Code</i>									
IL4	IL4								
<b>Input Version</b>									
L = Load Cell Input			L						
P = Process Input			P						
C = Counter/Rate Input			C						
<b>Display Colour</b>									
R = Red					R				
G = Green					G				
<b>Supply Voltage</b>									
AC = 100-240Vac Universal Mains Supply							AC		
DC = 11-30Vdc							DC		
<b>Options</b>									
0 = None									0
5VEXC = 5V Excitation Output									5VEXC
Plainlens = Plain Front Cover (no buttons)									Plainlens
POT = 3 Wire Potentiometer Input (IL4-P only)									POT
SPC4 = IP67 Front Panel Cover									SPC4
WALLBOX = IP65 Wall-Mounted Enclosure									WALLBOX



# APPLIED MEASUREMENTS LTD.

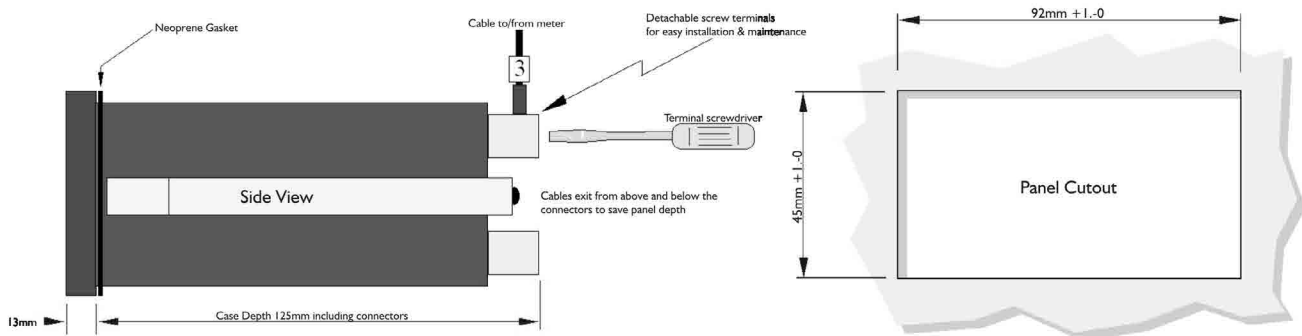
Transducer Specialists...

+44 (0) 118 981 7339

[info@appmeas.co.uk](mailto:info@appmeas.co.uk)

<https://appmeas.co.uk>

## Dimensions (mm):



## Accessories:

### SPC4: IP67 Splash-Proof Cover:

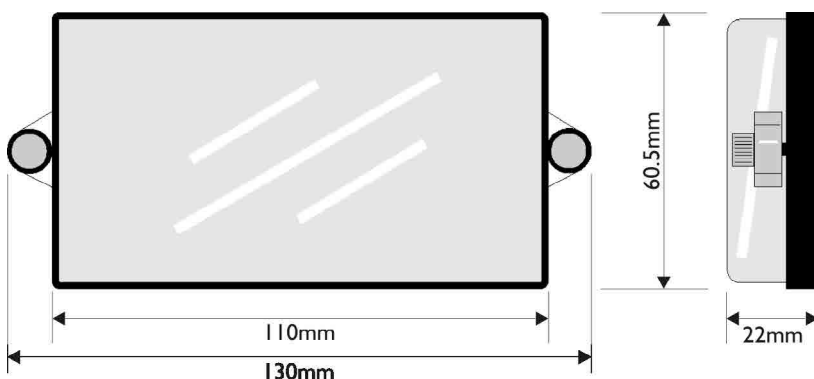


- Fits all Intuitive2 and Intuitive4 Indicators
- Low Cost
- Easy to Install
- Immersion Protected up to 1 metre
- Impact Resistant
- Fits Most 1/8 DIN Meters
- Non-Ferrous Parts for Longer Life
- Anti-Scratch Coating
- 3 Year Warranty

The SPC4 offers a low cost and robust method of sealing the front of all Intuitive2 and Intuitive4 indicators, along with most other manufacturers' 1/8 DIN size panel meters. The design uses all corrosion-resistant materials for longer life, meaning less maintenance. You can easily fit it to existing installations, or include it as a value-added accessory for new systems.

The panel cutout is the standard hole size for the panel meter, so no changes to the panel are needed. The front window is detachable, permitting adjustments to be made to the panel meter during commissioning and is held firmly in place by two knurled captive screws which resist accidental side or front impact.

The window and the holding frame are both moulded from a high impact resistant material. And, to give good reliability, the female threaded sections are made from marine brass and are moulded deep into the frame itself. Highly flexible and resilient neoprene gaskets firmly bonded to the inner and outer faces of the frame provide the reliable sealing effect, while for excellent clarity and resistance to scratching the covers are coated with a special anti-scuff treatment.



### Construction Materials:

Window & Frame = Polycarbonate

Screws = Nickel Plated Marine Brass

Female Threaded Bushes = Marine Brass



# APPLIED MEASUREMENTS LTD.

Transducer Specialists...

+44 (0) 118 981 7339

[info@appmeas.co.uk](mailto:info@appmeas.co.uk)

<https://appmeas.co.uk>

## PCC: Portable Desktop Enclosure:



- Fits All Intuitive2 and Intuitive4 Indicators
- Portable
- Fused IEC Power Input
- Robust Construction
- Supply Fully-Wired and Ready to use
- Attractive Styling
- 3 Year Warranty

The PCC range of portable desktop instrument cases are designed specifically to suit our Intuitive2 and Intuitive 4 range of digital indicators and are available in a range of formats for housing anything from single meter to suit simple measuring systems up to a bank of 12 meters for multiple-sensors in industrial process monitoring applications. Specially designed cases for greater numbers of meters can be offered if required - please contact sales to discuss your application in detail.

All cases are fitted with a fused IEC mains input and a single sensor connection per indicator as standard, while reset buttons, lights, alarm sounders, rotary selection switches and integral battery power/backup are just some of the options that can be added to suit your specific requirements.

	Model: PCC1	Dimensions: W200mm x H65mm x D185mm
	Model: PCC2	Dimensions: W300mm x H65mm x D185mm
	Model: PCC4	Dimensions: W300mm x H145mm x D220mm
	Model: PCC6	Dimensions: W510mm x H145mm x D220mm
	Model: PCC12	Dimensions: W685mm x H240mm x D280mm

## Associated Products:



[Load Cells & Force Sensors](#)



[T24 Wireless Telemetry Range](#)



[AML/SGD Displacement Sensor](#)



[DSC-USB Signal Digitiser](#)



[Torque Transducers & Torque Sensors](#)



[Pi600 Pressure Sensor](#)